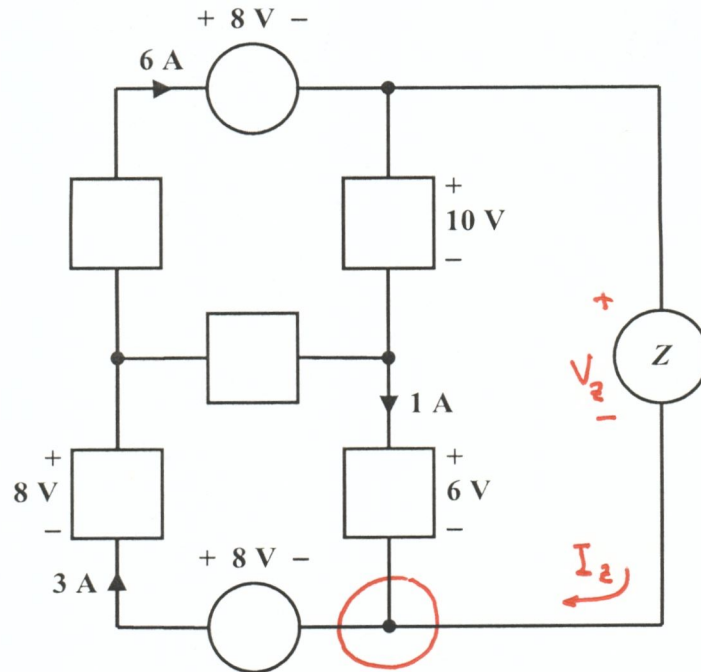


EE 2240  
Problem #03

Does component  $Z$  deliver power or absorb power? How much?



$$V_Z = 10V + 6V = 16V$$

$$I_Z = 3A - 1A = 2A$$

$V_Z$  and  $I_Z$  satisfy the Passive Sign Convention.  
Therefore, component  $Z$  absorbs

$$V_Z \cdot I_Z = (16V)(2A) = 32W$$